



# **SopoAlarm** **plus**

***The electronic nose  
to sleep calm.***

***A LINNEPE exclusivity.***



**LINNEPE**

***INSTRUCTIONS FOR THE USE  
AND THE INSTALLATION***

*Thank you for choosing*

**SopoAlarm** 

*the most complete security system  
for motorhomes and caravan.*

*Before using the SopoAlarm plus  
please read this manual carefully.*

<b>1. GENERAL DESCRIPTION.....</b>	<b>3</b>
<b>2. USE OF THE DEVICE .....</b>	<b>5</b>
<b>3. IN CASE OF ALARM... ..</b>	<b>6</b>
<b>4. NOTES FOR THE CORRECT OPERATION .....</b>	<b>7</b>
<b>5. VERIFICATION OF THE OPERATION .</b>	<b>7</b>
<b>6. INSTALLATION .....</b>	<b>8</b>
<b>7. TECHNICAL CHARACTERISTICS .....</b>	<b>10</b>



## 1. GENERAL DESCRIPTION

SopoAlarm plus is a complete security system for Motorhomes and Caravans in order to protect the crew and the means from every attempt of a robbery with narcotising substances and/or toxic gases. SopoAlarm plus incorporates a sensitive narcotising (sleeping-) gas detector and is able to manage one or more sensors for different gases and protection units, wired and wireless.

An electronic auto test system of the microprocessor guarantees the maximum sensibility and minimizes the phenomena of false alarm.

The device can be connected to a additional siren and a GSM-module that can send messages (SMS) in case of an alarm. The Stay-In function supplies to exclude the

inner volumetric sensor: in this way it is possible for passengers to stay inside the motorhome or caravan with the activated burglar alarm. The low absorption of current allows to have the burglar alarm in function for several days, without particular problems for loads with the battery.



Fig. 1

### ● ● ● ● Insertion key



Switch the key on position ON activates the system; the device remains in stand-by for approximately a minute, that is the necessary time for stabilization and the auto test of the sensors. After having positioned the key on ON:  
a) if it is desired to remain inside, it is necessary to press the red push-button Stay-in  
b) otherwise must be exited from motorhome/caravan within a minute from the activation.

- a** Led of signalling.
- b** Key of insertion.
- c** Push-button for exclusion of the inner volumetric sensor and activation of the narcotic (sleeping-) gas detector.

## ● ● ● ● ● **Push-button STAY-IN**



If pressed the sensor for narcotic gas incorporated in the device is active and at the same time excludes the volumetric sensor (if installed). It is necessary to press this push-button if it is desired to remain inside of means with the activated device.

## ● ● ● ● ● **LED OF SIGNALLING (normal operation)**



### **GET-OUT**

It is ignited immediately after the activation of the system and remains ignited during the phase of auto test of the sensors (approx. one min.).



### **STAY-IN**

It is ignited after have pressed push-button STAY-IN to confirmation of the activation of the Gas sensor incorporated in the device and to remember the exclusion of inner the volumetric sensor (if installed).



### **READY**

It is ignited at the end of the auto test and indicates that the device is ready to work. From this moment, if one of the sensors or contacts (if installed) will detect an intrusion attempt, an alarm will be generated.



### **ALARM**

It is ignited in alarm case and it remains ignited until the extinction of the system.



### **SOPO**

It is ignited united to the led alarm if the alarm has been generated from the Gas(narcotic/sleepeinggas or LPG) detector.



### **STEP-IN**

Time to disposition of the system is ignited during the time of income (after to have entered).



### **ATTENTION!**

**The meaning of the led-lamps as an alarm memory: see the paragraph more ahead “Memory of Alarm” in the section 2 (use of the Device).**



## 2. USE OF THE DEVICE

### • • • • • “ANTITHEFT” INSERTION

#### (Nobody to Edge) Gas Sensor OFF

In order to activate the device, to turn the key in position ON and exit within a minute. The system comes inserted in antitheft modality. In this modality the sensor for narcotic Gas is not active. Therefore the current consumption comes limited in order to keep the battery loaded, even if the system remains inserted for along time.

### • • • • • INSERTION “STAY-IN”

#### (Crew to Edge) Narcotic gas Sensor ON

To turn the key in position ON and to press push-button STAY-IN. In this way the sensor for narcotic Gas is activated and at the same time the inner volumetric sensor is excluded (if installed). The sensors eventually installed on doors, windows and lockers are always active.

### • • • • • SWITCH OFF

Turn the key on position OFF.

With the inserted system, if you open the income door there are approximately 20 sec. of time to switch off the system with the key.

During this time you will hear an intermittent sound of the buzzer. If the device still is inserted the system generates an alarm after this time. The contact on the door of income and inner the volumetric sensor (if installed) are the only sensors of “delayed” type, they generate an alarm after the time of income (time of delay), the other sensors generate an alarm immediately after initiation.

### • • • • • ALARM MEMORY (fig. 2)

In alarm case the device memorizes which sensor has generated the alarm. This function is very comfortable because it allows to understand which sensor has found it. In order to visualize the alarm memory, after returning to edge of means, before switching off the alarm, watch if ignited the led alarm: if this spy ignited, an alarm was verified during the absence from means. To this point to turn the key on OFF. To relight the device put the key on ON. Flashing of one or more led will (figure 2)

indicate the sensor or the sensors that have generated the alarm. The phase of visualization of the hard memory of alarm is during approximately 10 sec. After this visualization the memory is cancelled and the system can be switched OFF.

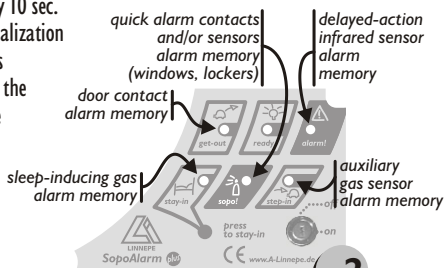


Fig 2



### 3. IN CASE OF ALARM...

#### ● ● ● ● ● BURGLAR ALARM

In the case the sensors find a attempt of intrusion the additional alarm siren is activated for 2 min. while the buzzer of the SopoAlarm plus sounds until the system will be deactivated. The volumetric sensor can generate, up to a maximum of 5, consecutive cycles of alarm, then will be automatically excluded: as an example, if an opened window is forgotten, the sensor could generate numerous false alarms.

#### ● ● ● ● ● DETECTOR NARCOTIC GAS

As soon as the built-in sensor for narcotic gases will find the presence of a gas an intermitted pre-alarm will start the buzzer, for the duration of 45 sec. If the gas persists, the alarm will be activated with ext. siren and the impeller (if installed) after this period of time. The control comes later on carried out to intervals of 45 sec. The Siren will shut off after a max. Alarmperiod of two minutes. If the concentration of the gas will decrease under a certain level the impeller will be turned off, while the buzzer remains active and sounds intermitted until you switch off the system.

#### ● ● ● ● ● EXTERNAL SENSORS FOR GASES (GPL and/or CO)

If these devices find the gas presence the buzzer generates an alarm and activates the impeller until the complete evacuation of the gas.



#### 4. NOTES FOR THE CORRECT OPERATION

- Use only in not polluted surroundings. Pollution and polluting substances could limit the correct efficiency of the “inner electronic nose” of the device.
- Do not use in case of the consumption strong doses of alcoholic substances from part of the crew. The alcoholic breath (in kind “ethyl”) picked up from the SopoAlarm plus is analogous to “etheric derivates” and also generate an alarm.
- Do not use the device during the operations of baking or cooking in kitchen. Baking and cooking could generate vapours that could generate the phenomena of false alarm.
- The inner (gas-)detector to the device is the most sensitive to all hydrocarbons with narcotising effect, but he is not suitable to the survey of other Gases like GPL and Monoxide of carbon. For these gases we have auxiliary sensors to connect to the SopoAlarm plus.



#### 5. VERIFICATION OF THE OPERATION

##### • • • • BURGLAR ALARM

1. Activate the device, and wait at least one minute.
2. Use every of the sensors installed and verify the generation of the alarm.

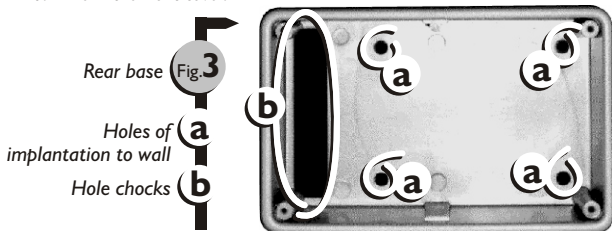
##### • • • • DETECTOR OF NARCOTIC/SLEEPING GAS

1. Activate the device in modality “Stay-In”.
2. After the time of stabilization of the system, verify the correct exclusion of the volumetric sensor.
3. Take a usual lighter and hold it close to the slim openings in the device and press the propriate key to bring some gas to the sensor (without lightning the flame).
4. In case of regular operation, after some seconds the device enters in acoustic and visual alarm.



## 6. INSTALLATION

1. Remove the four screws of block of the frontal cover and separate it from the rear base.
2. Prepare the pass through for cables at a vertical wall where Sopoalarm will be mounted (at a height from the pavement comprised between 100 cm and 150 cm).
3. Fix the base (a) of the Sopoalarm on the wall with the (included) screws.
4. Please establish electric wiring like shown in the drawing
5. For supply of current 12 V, please connect Sopoalarm directly to the battery with cables of a minimum square of 1 mm.
6. Refix the front cover.



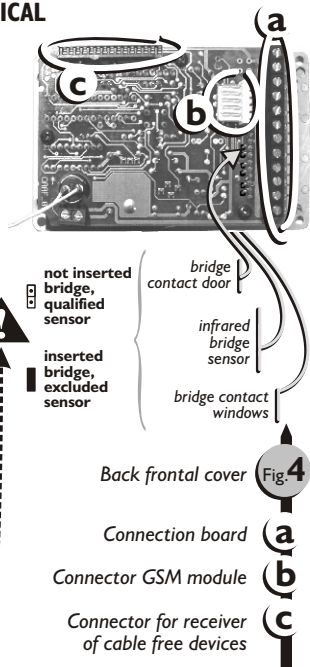
### ATTENTION!

To verify that the point of withdrawal of energy for the feeding 12 Volt for the SopoAlarm plus is in continuum flow even while the means connected to the 220/110V net. For the connection of further devices like sirene, lights, or impellers (for the automatic evacuation of gases), please follow the drawing below. The connectors for the sirena supplies a max. current of 500 mA, impeller max 2Amps. If the absorption of the devices you connect will be more as the mentioned values, it is necessary to install a relay additional of adequate power.



## ••••• CONNECTIONS ELECTRICAL

- + Positive (+) of feeding 12 V
- Negative (-) of feeding 12 V
- 1 Positive (+) of feeding auxiliary 12 V
- 2 Income for volumetric sensor (delayed or not delayed)
- 3 Common (-) Negative
- 4 Income for magnetic contact door income (delayed alarm)
- 5 Income for magnetic contacts windows and lockers (immediate alarm)
- 6 External (-) Negative sirena (max 500 mA)
- 7 Income for external gases (Co and LPG)
- 8 Common (-) Negative
- 9 Positive (+) of feeding external impeller (max 2 Amps)
- 10 Common (-) Negative, 12 V



### ATTENTION!

In case of installation of one or more sensors (only wired) it is necessary to remove the bridges like indicated in figure 4. The removal of the single one bridge qualifies the related sensor. The bridges are supplied by factory (functions disabled) Not necessary to remove the bridges in case of installation of cablefree sensors . Please follow carefully the drawing for connections in figure 5.

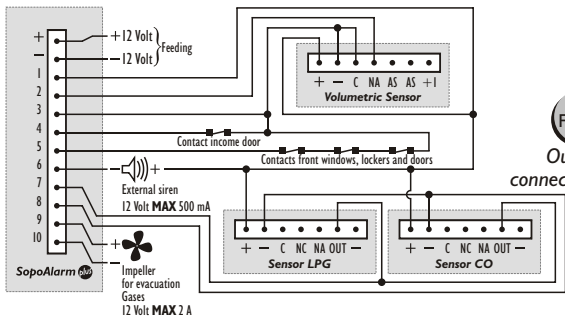


Fig. 5

Outline connections



## 7. TECHNICAL CHARACTERISTICS - SopoAlarm Plus

- Dimensions in millimeters .....L.120; H.75; P.35
- Weight.....170 g
- Tension of feeding .....12 V cc
- Absorption.....12 mA in “Antitheft” modality  
80 mA in “Stay-In” modality
- Sensibility of survey narcotic gases  
100 ppm
- Sonorous intensity buzzer .....85 dB
- Connectable devices .....volumetric sensor, contacts for doors and windows, siren, GSM module, impeller...

### ● ● ● ● ● OPTIONS AVAILABLE

- Volumetric sensor to infrared (wired or without thread)
- Magnetic Contact for doors, windows and lockers (wired or without thread)
- GSM module
- Additional siren
- Auxiliary sensor for gas LPG
- Auxiliary sensor for gas CO

### ● ● ● ● ● CONFORMITY

- 89/336/EEC (Electromagnetic Compatibility)
- 93/68/EEC (CE Marking)



## • Notes

A series of horizontal dashed lines for writing notes.



**LINNEPE**

A. Linnepe GmbH • Oelkinghauser Straße 6-8 • D-58256 Ennepetal  
tel. +49-2333-98590 fax +49-2333-985930  
[www.A-Linnepe.de](http://www.A-Linnepe.de)